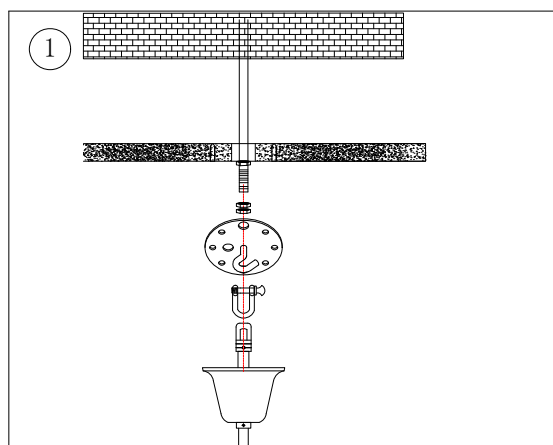
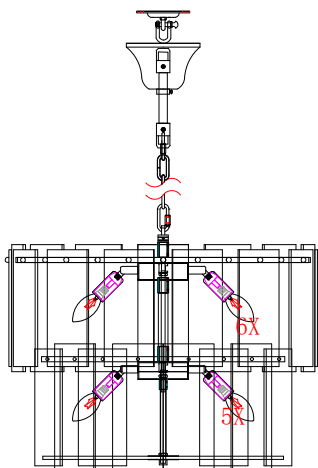
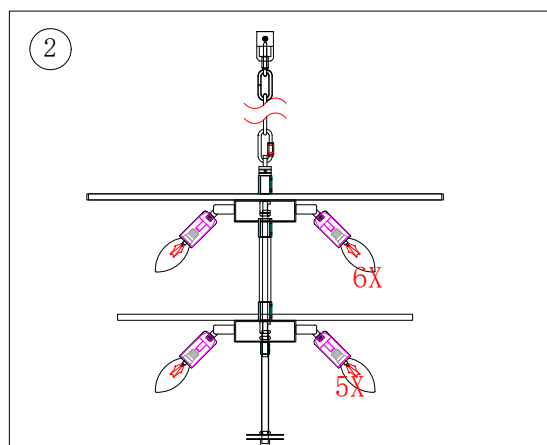


схема сборки и установки / assembling&connection diagram

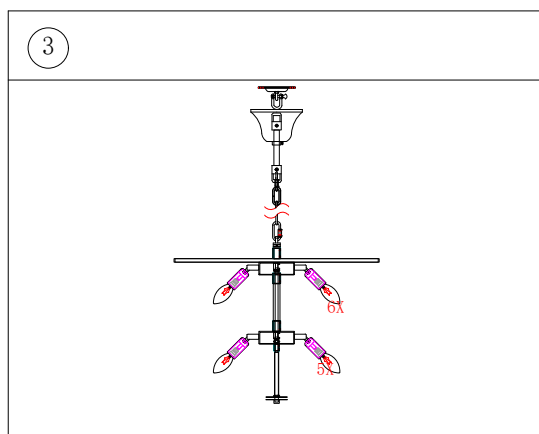
Model No.:6315-6D Size:Φ600*H480mm E14*10



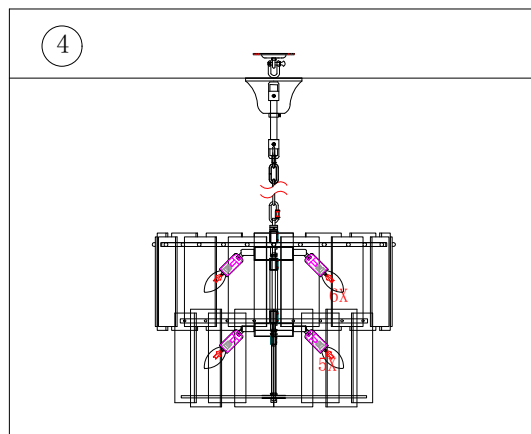
Hang the ceiling tray on the ceiling



install the lampbody



Connect the power cord/hang the light stand on the ceiling



install the glass and test the light