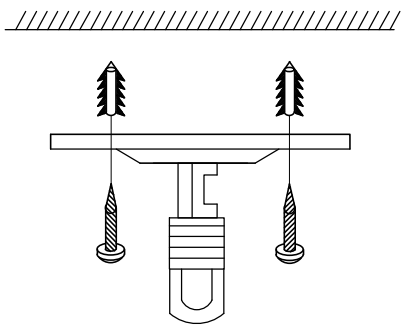
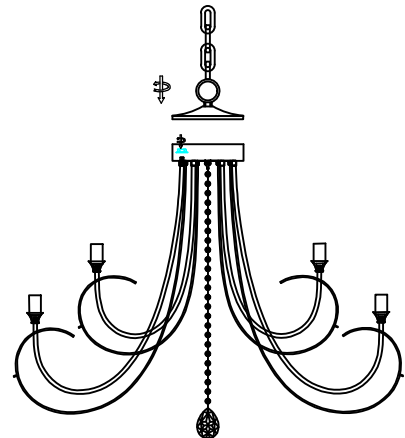


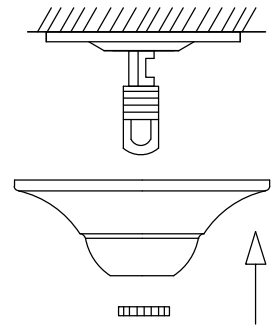
1



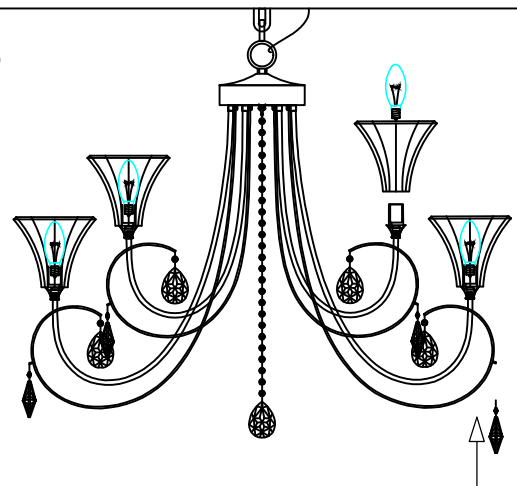
4



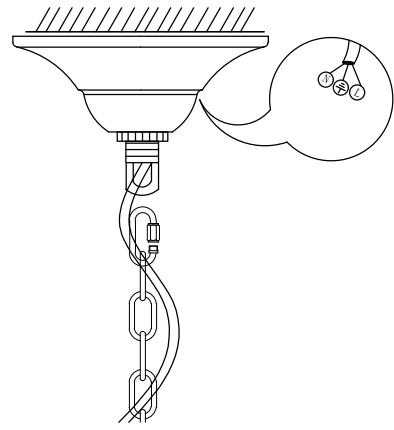
2



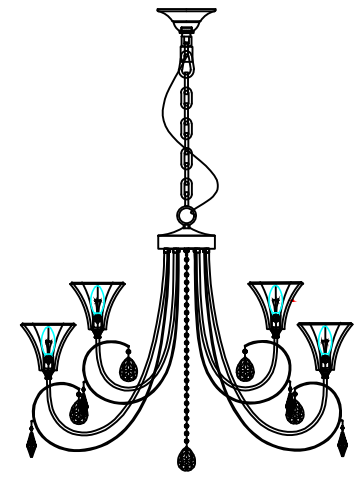
5



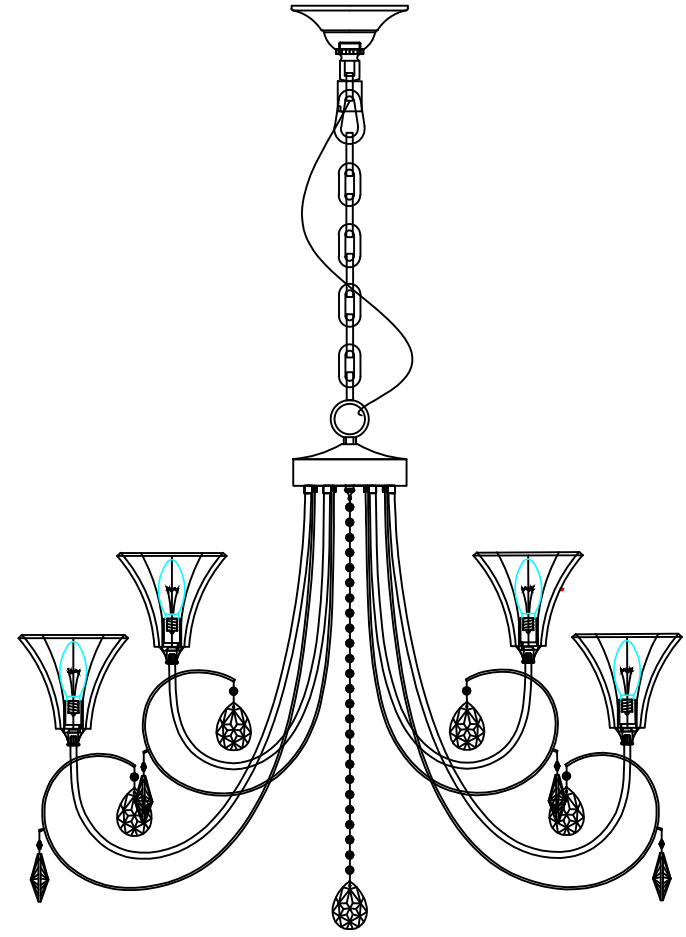
3



6



MODEL: 4829/C



Safety precautions:

- 1. The power do not exceed the prescribed range (rated voltage AC220-240V 50Hz).
- 2. Please cut off the power supply while replacing the light source and other maintenance operation .
- 3. The plate fixed on the ceiling must be able to withstand the weight more than 3 times of the object.
- 4. After installation is complete, check the glass right or not? If it is damaged, it should be replaced immediately.