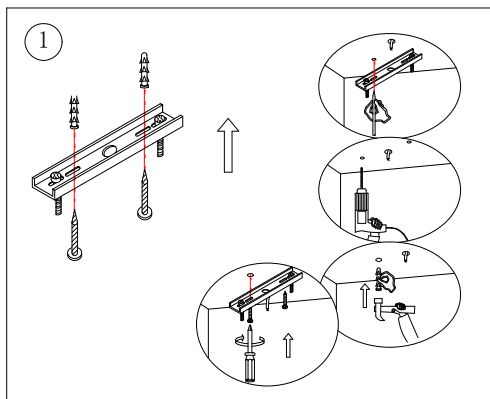
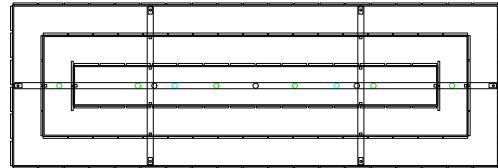
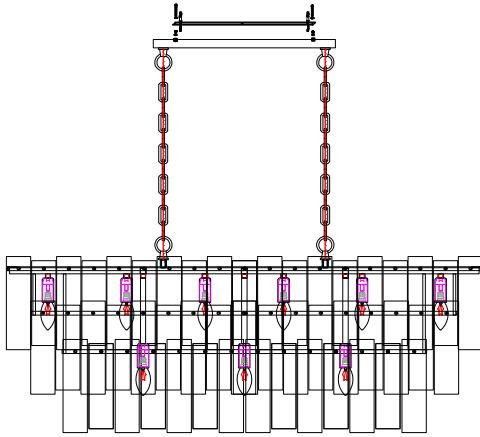
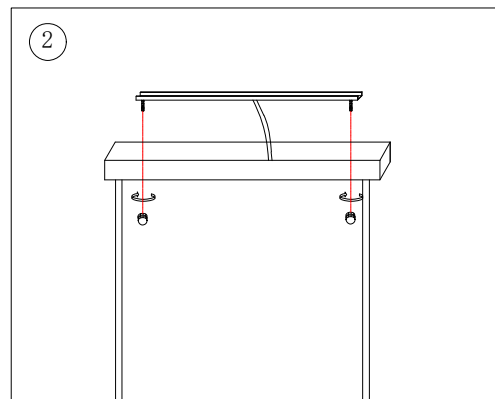


схема сборки и установки / assembling & connection diagram

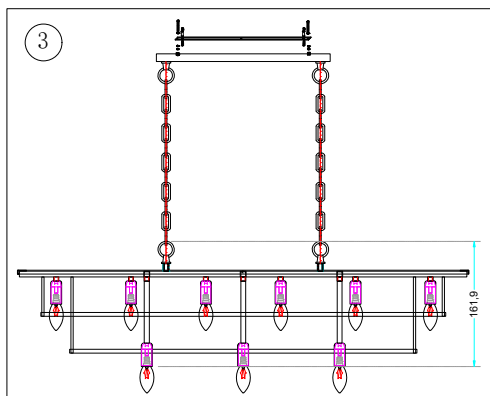
Model No.:6315-12C Size:L1200*W400*H450mm E14*9



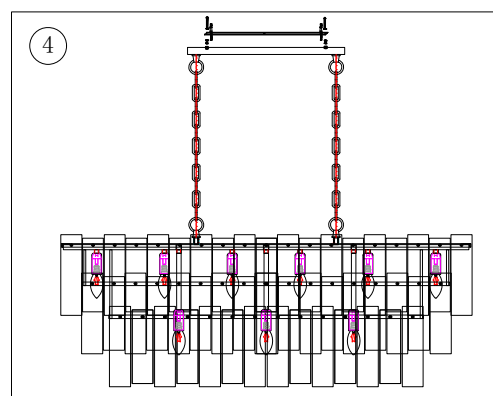
Install the straight hanging plate at the outlet position of the ceiling



Connect the power cord, the ceiling box of the lamp is matched with the hanging plate, and fixed with M6 flower branches



Assemble the lamp body/install the light source/turn on the lamp and try it out



install the glass lampshade